

### Features

- Recommended operating voltage range 8V~36V
- Output Adjustable from 1.25V to 32V
- Maximum Duty Cycle 100%
- Minimum Drop Out 0.3V
- Fixed 180KHz Switching Frequency
- 12A Constant Output Current Capability
- Internal Optimize Power MOSFET
- High efficiency up to 96%
- Excellent line and load regulation
- Built in thermal shutdown function
- Built in current limit function
- Built in output short protection function
- Available in TO220-5L package

### Applications

- LCD Monitor and LCD TV
- Portable instrument power supply
- Telecom / Networking Equipment

### General Description

The XL4016 is a 180 KHz fixed frequency PWM buck (step-down) DC/DC converter, capable of driving a 12A load with high efficiency, low ripple and excellent line and load regulation. Requiring a minimum number of external components, the regulator is simple to use and include internal frequency compensation and a fixed-frequency oscillator.

The PWM control circuit is able to adjust the duty ratio linearly from 0 to 100%. An over current protection function is built inside. When short protection function happens, the operation frequency will be reduced from 180KHz to 48KHz. An internal compensation block is built in to minimize external component count.

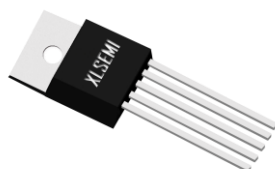


Figure1. Package Type of XL4016

12A 180KHz 40V Buck DC to DC Converter	XL4016
--	--------

## Pin Configurations

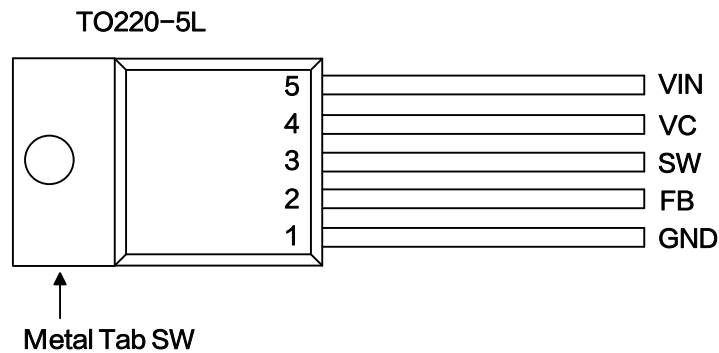


Figure2. Pin Configuration of XL4016 (Top View)

Table 1 Pin Description

Pin Number	Pin Name	Description
1	GND	Ground Pin. Care must be taken in layout. This pin should be placed outside of the Schottky Diode to output capacitor ground path to prevent switching current spikes from inducing voltage noise into XL4016.
2	FB	Feedback Pin (FB). Through an external resistor divider network, FB senses the output voltage and regulates it. The feedback threshold voltage is 1.25V.
3	SW	Power Switch Output Pin (SW). SW is the switch node that supplies power to the output.
4	VC	Internal Voltage Regulator Bypass Capacitor Pin (VC). The VC pin connect a 1uf capacitor to VIN.
5	VIN	Supply Voltage Input Pin. XL4016 operates from a 8V to 36V DC voltage. Bypass Vin to GND with a suitably large capacitor to eliminate noise on the input.

### Function Block

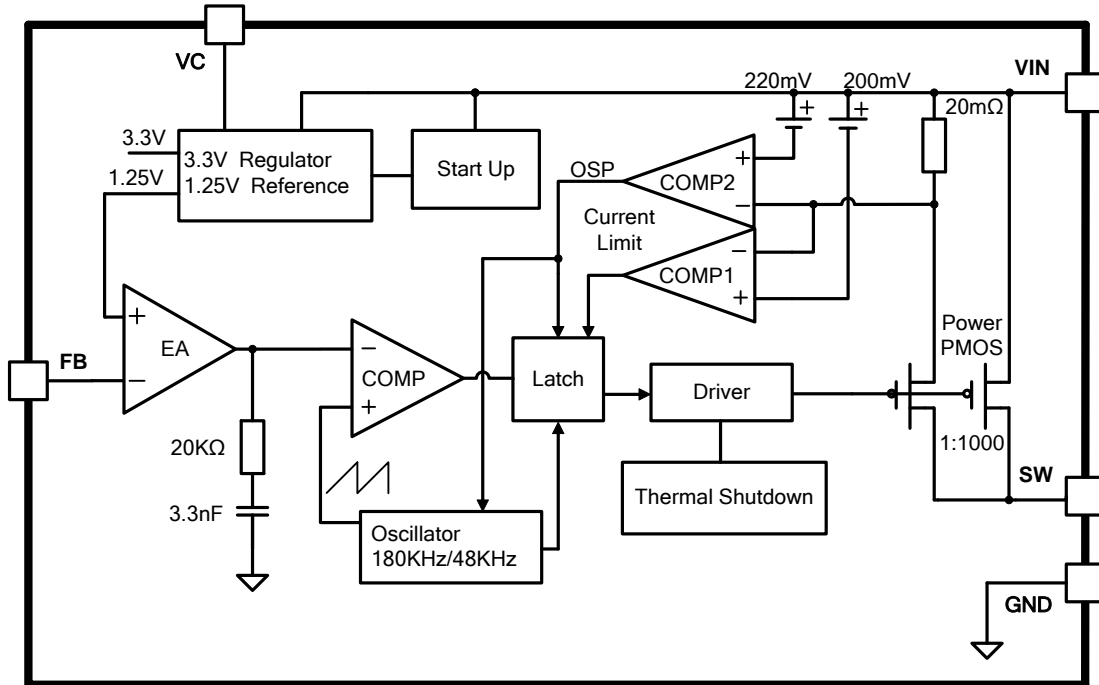
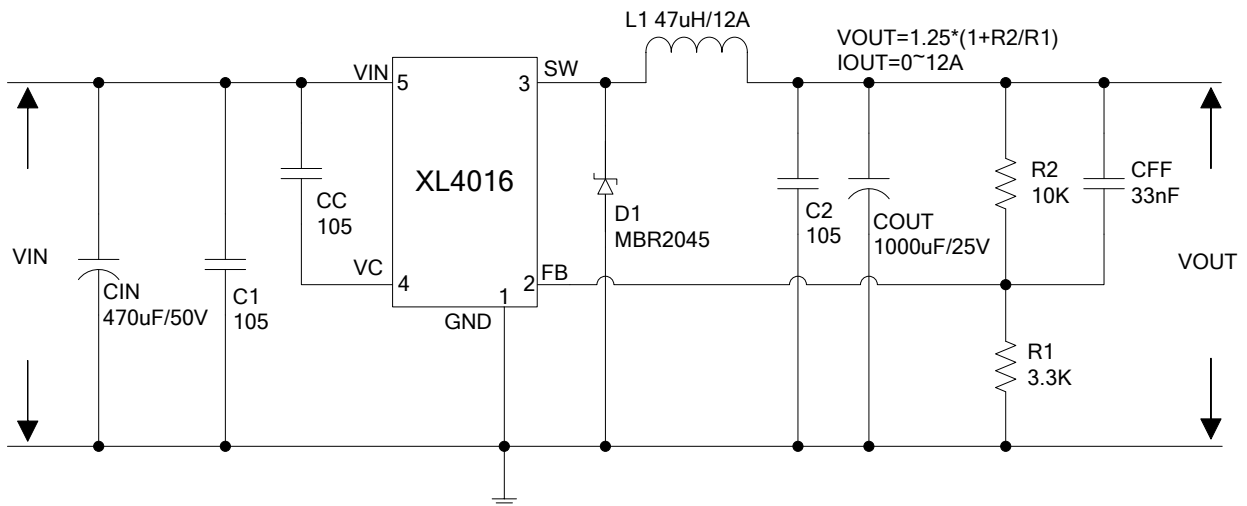


Figure3. Function Block Diagram of XL4016

### Typical Application Circuit



VIN=8V~20V, VOUT=5V/9A; VIN=20V~36V, VOUT=5V/12A

Figure4. XL4016 Typical Application Circuit (VIN=8V~36V, VOUT=5V/12A)

12A 180KHz 40V Buck DC to DC Converter

XL4016

### Ordering Information

Order Information	Marking ID	Package Type	Packing Type Supplied As
XL4016E1	XL4016E1	TO220-5L	50 Units Per Tube/ 1000 Units Per Box

XLSEMI Pb-free products, as designated with “E1” suffix in the par number, are RoHS compliant.

### Absolute Maximum Ratings ( Note1 )

Parameter	Symbol	Value	Unit
Input Voltage	$V_{in}$	-0.3 to 40	V
Feedback Pin Voltage	$V_{FB}$	-0.3 to 7	V
Output Switch Pin Voltage	$V_{SW}$	-0.3 to $V_{in}$	V
Power Dissipation	$P_D$	Internally limited	mW
Thermal Resistance (TO220-5L) (Junction to Ambient, No Heatsink, Free Air)	$R_{JA}$	30	°C/W
Operating Junction Temperature	$T_J$	-40 to 125	°C
Storage Temperature	$T_{STG}$	-65 to 150	°C
Lead Temperature (Soldering, 10 sec)	$T_{LEAD}$	260	°C
ESD (HBM)		>2000	V

**Note1:** Stresses greater than those listed under Maximum Ratings may cause permanent damage to the device. This is a stress rating only and functional operation of the device at these or any other conditions above those indicated in the operation is not implied. Exposure to absolute maximum rating conditions for extended periods may affect reliability.

12A 180KHz 40V Buck DC to DC Converter

XL4016

## XL4016 Electrical Characteristics

$T_a = 25^\circ\text{C}$ ; unless otherwise specified.

Symbol	Parameter	Test Condition	Min.	Typ.	Max.	Unit
<b>System parameters test circuit figure4</b>						
V <sub>FB</sub>	Feedback Voltage	V <sub>in</sub> = 8V to 40V, V <sub>out</sub> =5V I <sub>load</sub> =0.5A to 8A	1.225	1.25	1.275	V
$\eta$	Efficiency	V <sub>in</sub> =12V, V <sub>out</sub> =5V I <sub>out</sub> =6A	-	87	-	%
$\eta$	Efficiency	V <sub>in</sub> =24V, V <sub>out</sub> =12V I <sub>out</sub> =6A	-	93	-	%

## Electrical Characteristics (DC Parameters)

V<sub>in</sub> = 24V, GND=0V, V<sub>in</sub> & GND parallel connect a 470uf/50V capacitor; I<sub>out</sub>=500mA,  $T_a = 25^\circ\text{C}$ ; the others floating unless otherwise specified.

Parameters	Symbol	Test Condition	Min.	Typ.	Max.	Unit
Input operation voltage	V <sub>in</sub>		8		36	V
Quiescent Supply Current	I <sub>q</sub>	V <sub>FB</sub> =5V		2.1	5	mA
Oscillator Frequency	F <sub>osc</sub>		144	180	216	KHz
Output Short Frequency	F <sub>osp</sub>			48		KHz
Switch Current Limit	I <sub>L</sub>	V <sub>FB</sub> =0V		14		A
Max. Duty Cycle	D <sub>MAX</sub>	V <sub>FB</sub> =0V		100		%
Output Power PMOS	R <sub>dson</sub>	V <sub>FB</sub> =0V, V <sub>in</sub> =24V, I <sub>sw</sub> =12A		40	50	mohm

12A 180KHz 40V Buck DC to DC Converter	XL4016
--	--------

### Typical System Application (VOUT=5V/12A)

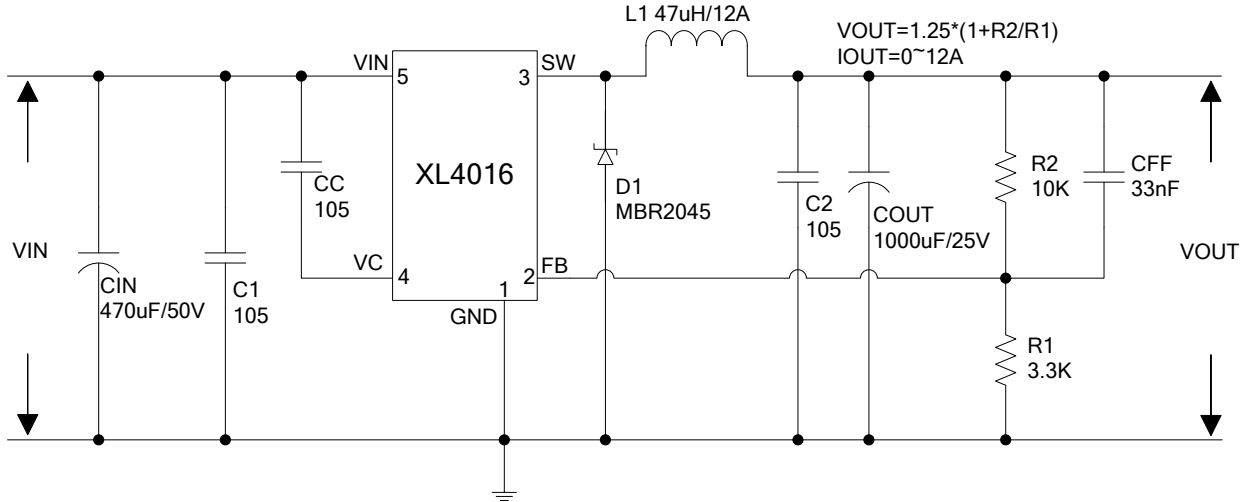


Figure5. XL4016 System Parameters Test Circuit (VIN=8V~36V, VOUT=5V/12A)

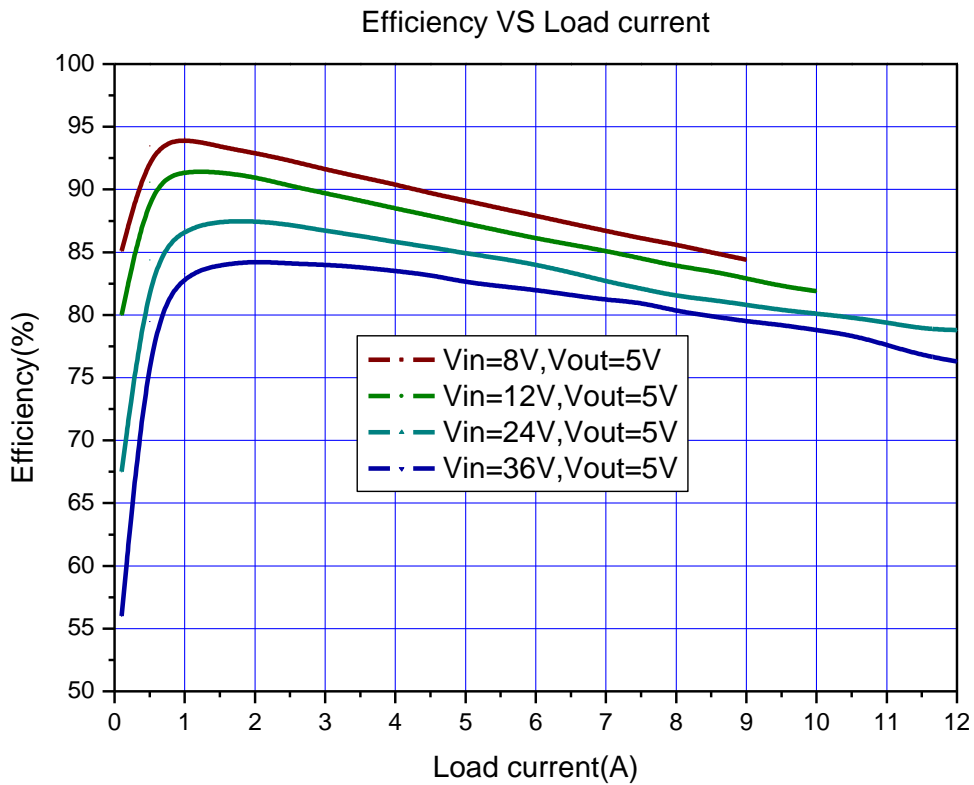


Figure6. XL4016 System Efficiency Curve

12A 180KHz 40V Buck DC to DC Converter	XL4016
--	--------

### Typical System Application (VOUT=12V/9A)

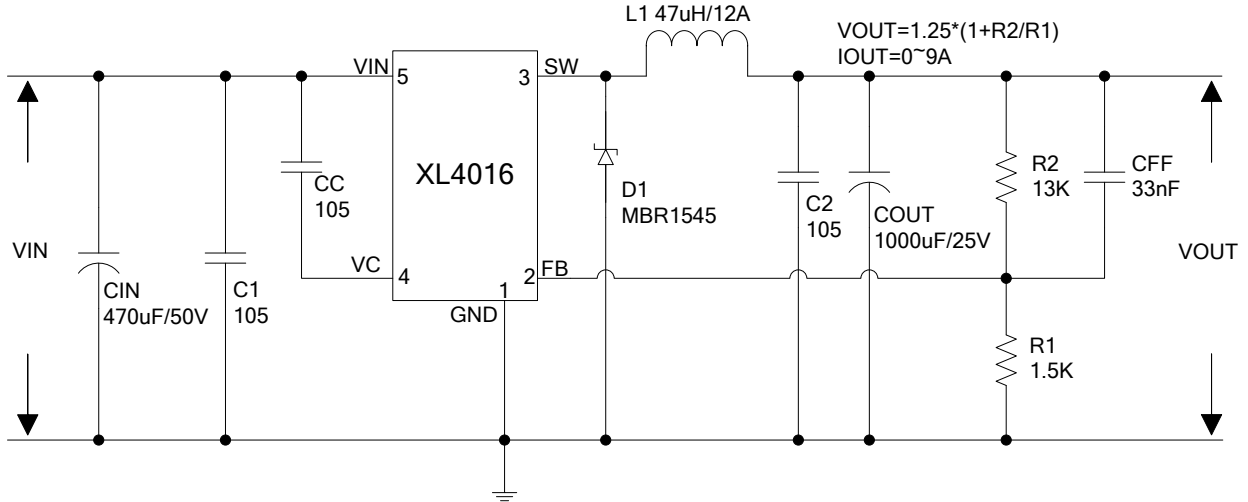


Figure7. XL4016 System Parameters Test Circuit (VIN=14V~36V, VOUT=12V/9A)

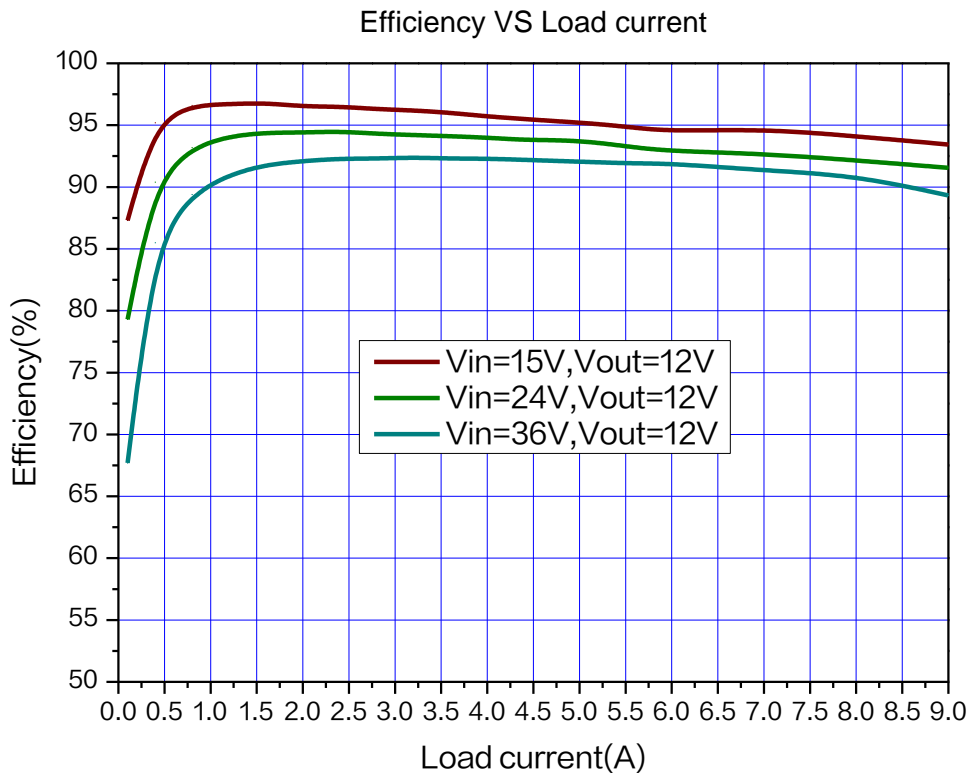


Figure8. XL4016 System Efficiency Curve

### Typical System Application (TTL shutdown function)

Logic level signals shutdown function can be used in typical system application with external components. When the TTL high voltage above 3.3V(referenced to ground, lower than 7V), the converter will shutdown, input current less than 5mA; when the TTL Low voltage below 0.8V(referenced to ground), the converter will turn on.

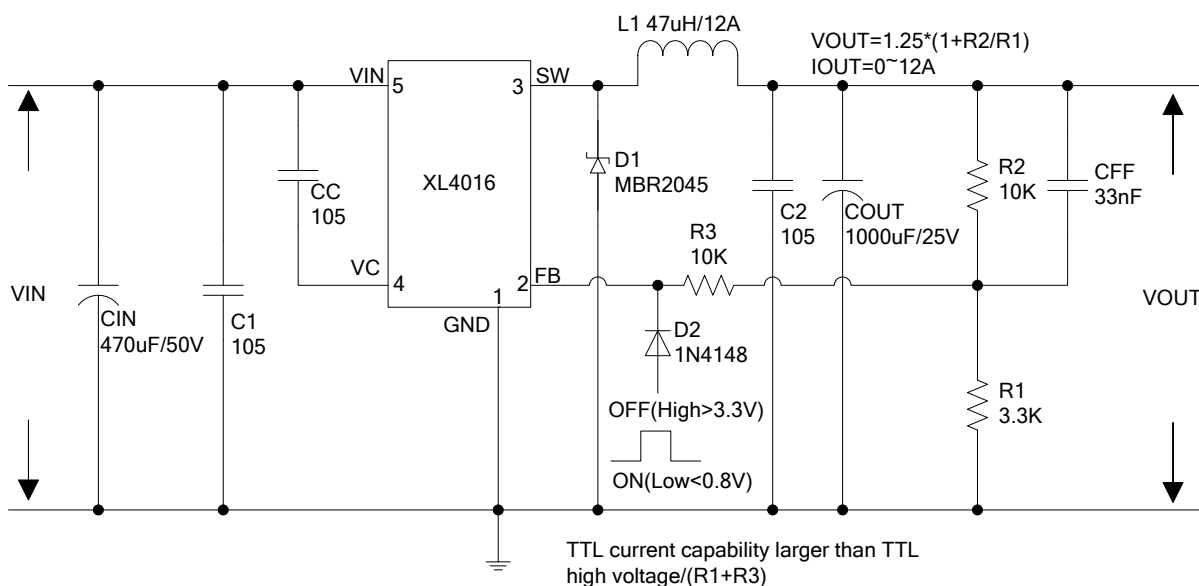
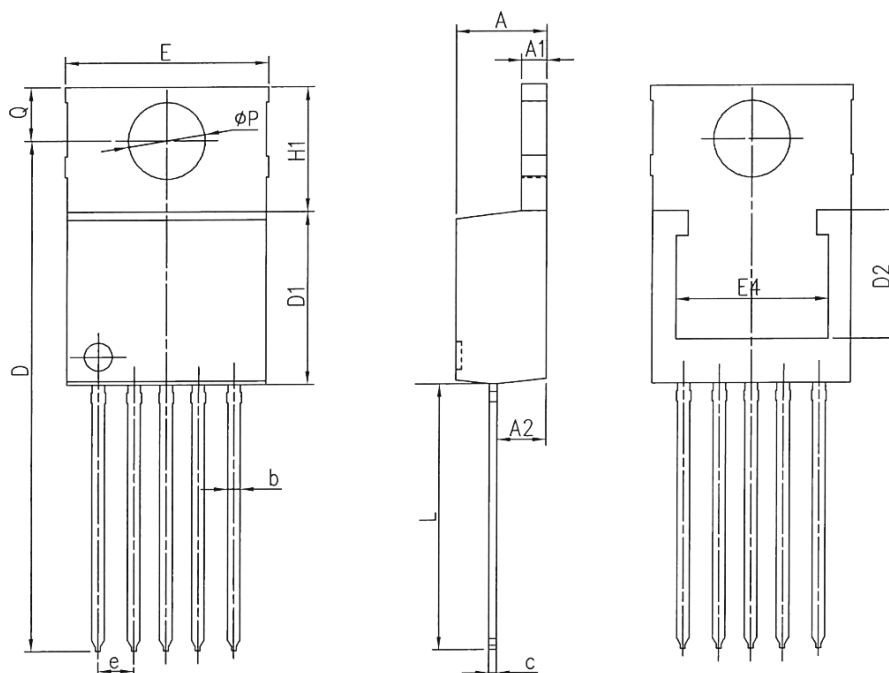


Figure9. XL4016 Typical Application Circuit

## Package Information

### TO220-5L



Symbol	Dimensions In Millimeters			Dimensions In Inches		
	Min.	Nom.	Max.	Min.	Nom.	Max.
A	4.37	4.57	4.77	0.172	0.180	0.188
A1	1.17	1.27	1.42	0.046	0.050	0.056
A2	2.47	2.67	2.87	0.097	0.105	0.113
b	0.76	0.89	1.02	0.030	0.035	0.040
c	0.33	0.38	0.64	0.013	0.015	0.025
D	25.65	26.00	26.35	1.009	1.023	1.037
D1	8.38	8.70	9.00	0.330	0.342	0.354
D2	5.50	5.84	6.14	0.216	0.230	0.242
E	9.86	10.26	10.39	0.388	0.404	0.409
E4	7.30	8.33	9.30	0.287	0.328	0.366
e	1.55	1.70	1.85	0.061	0.067	0.073
H1	6.10	6.35	6.60	0.240	0.250	0.260
L	13.34	13.74	14.10	0.525	0.541	0.555
ΦP	3.70	3.84	3.95	0.146	0.151	0.156
Q	2.54	2.75	3.05	0.100	0.108	0.120

---

**12A 180KHz 40V Buck DC to DC Converter****XL4016**

---

**Important Notice**

XLSEMI reserve the right to make modifications, enhancements, improvements, corrections or other changes without notice at any time. XLSEMI does not assume any liability arising out of the application or use of any product described herein; neither does it convey any license under its patent rights, nor the rights of others. XLSEMI assumes no liability for applications assistance or the design of Buyers' products. Buyers are responsible for their products and applications using XLSEMI components. To minimize the risks associated with Buyers' products and applications, Buyers should provide adequate design and operating safeguards. XLSEMI warrants performance of its products to the specifications applicable at the time of sale, in accordance with the warranty in XLSEMI's terms and conditions of sale of semiconductor products. Testing and other quality control techniques are used to the extent XLSEMI deems necessary to support this warranty. Except where mandated by applicable law, testing of all parameters of each component is not necessarily performed.

For the latest product information, go to [www.xlsemi.com](http://www.xlsemi.com).