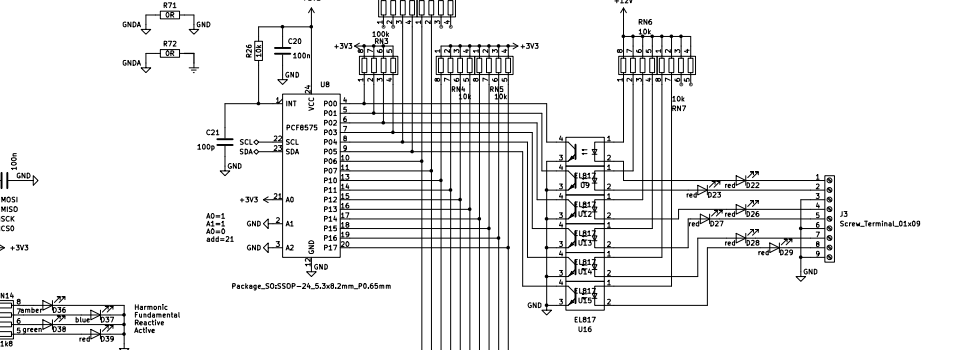
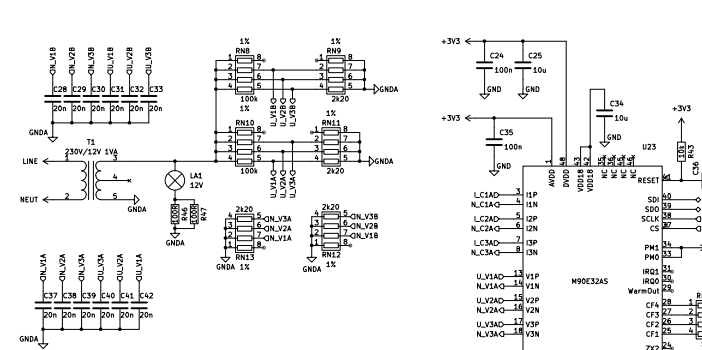
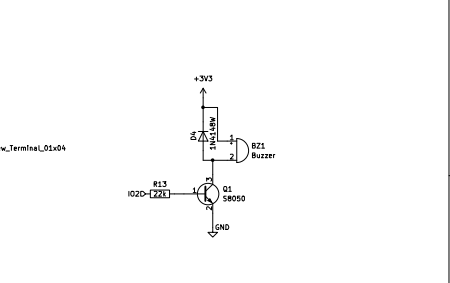
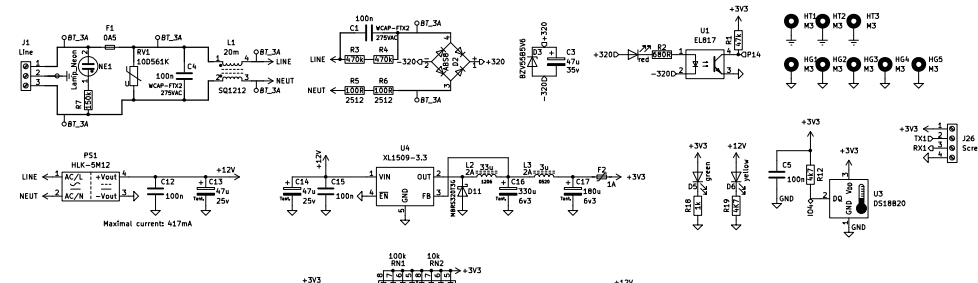
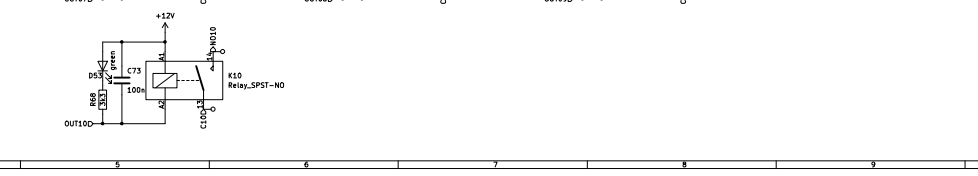
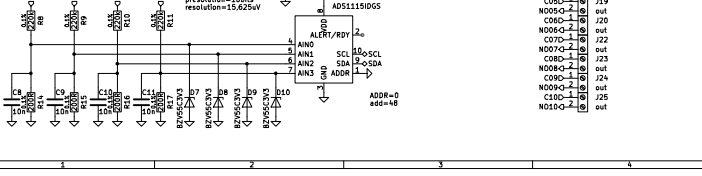
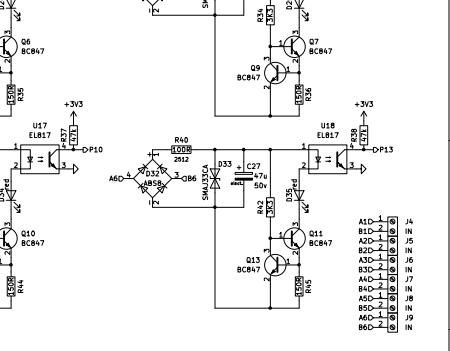
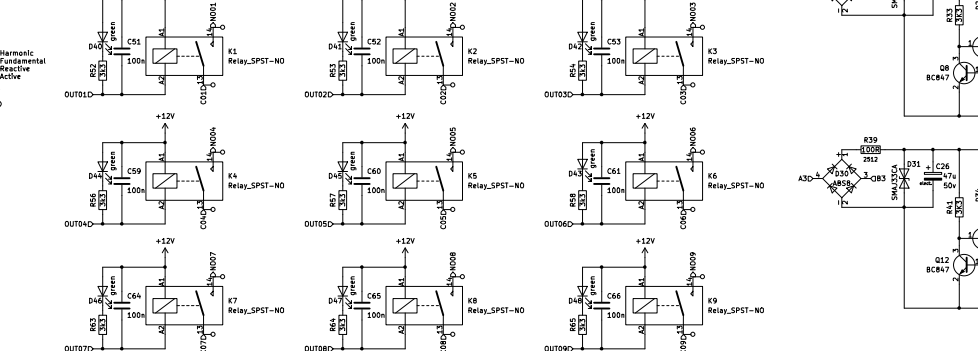
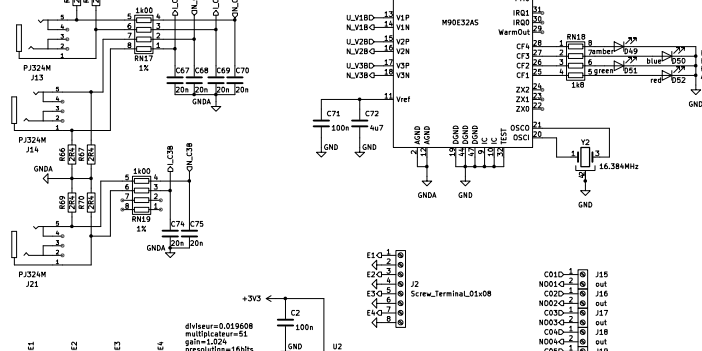
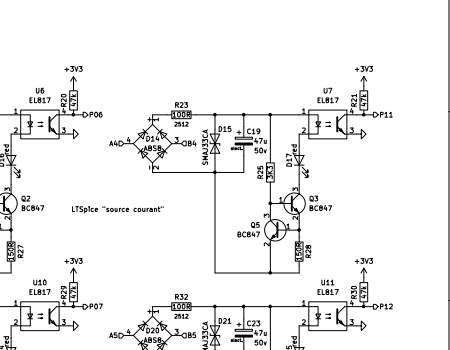
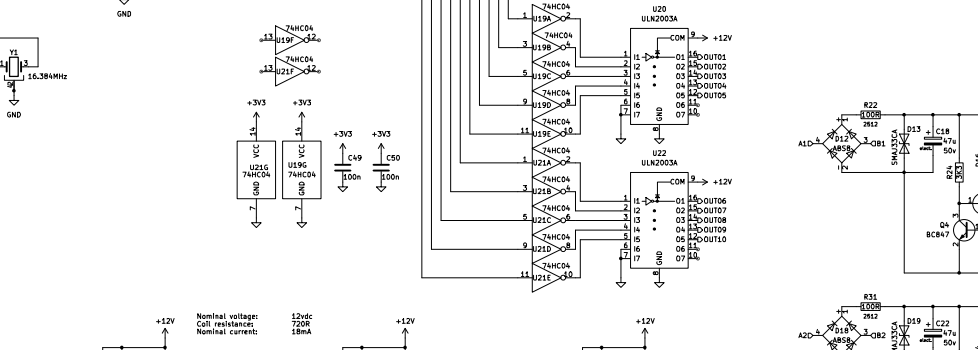
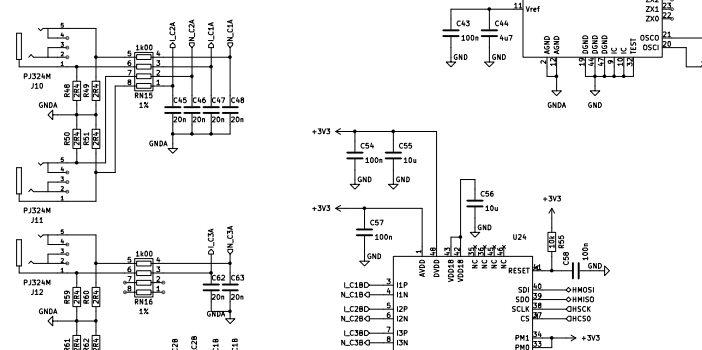


Pin	Label	GPIO	Safe?	Reason
4-2	SENSOR_VP	GPIO36	ATT	ADC1 input only GPIO, cannot be configured as output
5-3	SENSOR_VN	GPIO39	ATT	ADC1 input only GPIO, cannot be configured as output
6-4	IO34	GPIO34	ATT	ADC1 input only GPIO, cannot be configured as output
7-5	IO35	GPIO35	ATT	ADC1 input only GPIO, cannot be configured as output
8-6	IO33	GPIO33	YES	ADC1
9-7	IO32	GPIO32	YES	ADC2
10-8	IO29	GPIO29	YES	ADC2
11-9	IO28	GPIO28	YES	ADC2
12-10	IO14	GPIO14	YES	ADC2
13-11	IO15	GPIO15	YES	ADC2
14-12	IO16	GPIO16	YES	ADC2
15-13	IO13	GPIO13	YES	ADC2
16-14	IO12	GPIO12	YES	ADC2
17-15	IO11	GPIO11	YES	ADC2
18-16	IO10	GPIO10	YES	ADC2
19-17	IO9	GPIO9	YES	ADC2
20-18	IO8	GPIO8	YES	ADC2
21-19	IO7	GPIO7	YES	ADC2
22-20	IO6	GPIO6	YES	ADC2
23-21	IO5	GPIO5	YES	ADC2
24-22	IO4	GPIO4	YES	ADC2
25-23	IO3	GPIO3	YES	ADC2
26-24	IO2	GPIO2	YES	ADC2
27-25	IO1	GPIO1	YES	ADC2
28-26	IO17	GPIO17	YES	ADC2
29-27	IO18	GPIO18	YES	ADC2
30-28	IO19	GPIO19	YES	ADC2
31-29	IO20	GPIO20	YES	ADC2
32-30	IO21	GPIO21	YES	ADC2
33-31	IO22	GPIO22	YES	ADC2
34-32	IO23	GPIO23	YES	ADC2



MODIFICATION V2.2

- optocoupleur DIP4
- Modifications relais G6S-2 en HF 46F 12v
- suppression bornier 5V
- alimentation 12v
- buck 3v3 1A max
- série bus Dallas (indépendant carte) sur bornier
- 6 entrées optocoupleurs 5-3-3v AC/DC libre de potentiel
- 6 entrées prise courant dans l'ordre = inversion sens courant
- suppression port modbus
- série RX TX
- pas de batterie de sauvegarde
- pas d'alimentation 5v



4 entrées analogues 50VDC maxi / température-buzzer-mémoire
 6 entrées 11 50A/50mA / 1 entrée 230VAC
 16 entrées TOR / 7 sorties OF-30VDC-230VAC 2A
 Stéphane Blanpain
 Ecophot

Sheet: /
 File: Bomphot v2.2_kicad_sch
 Title: **DomoEco v2**
 Strc: A2 Date: 2024-02-24
 Kicad E.D.A. 9.0.2
 Rev: v2.2
 Id: 1/1