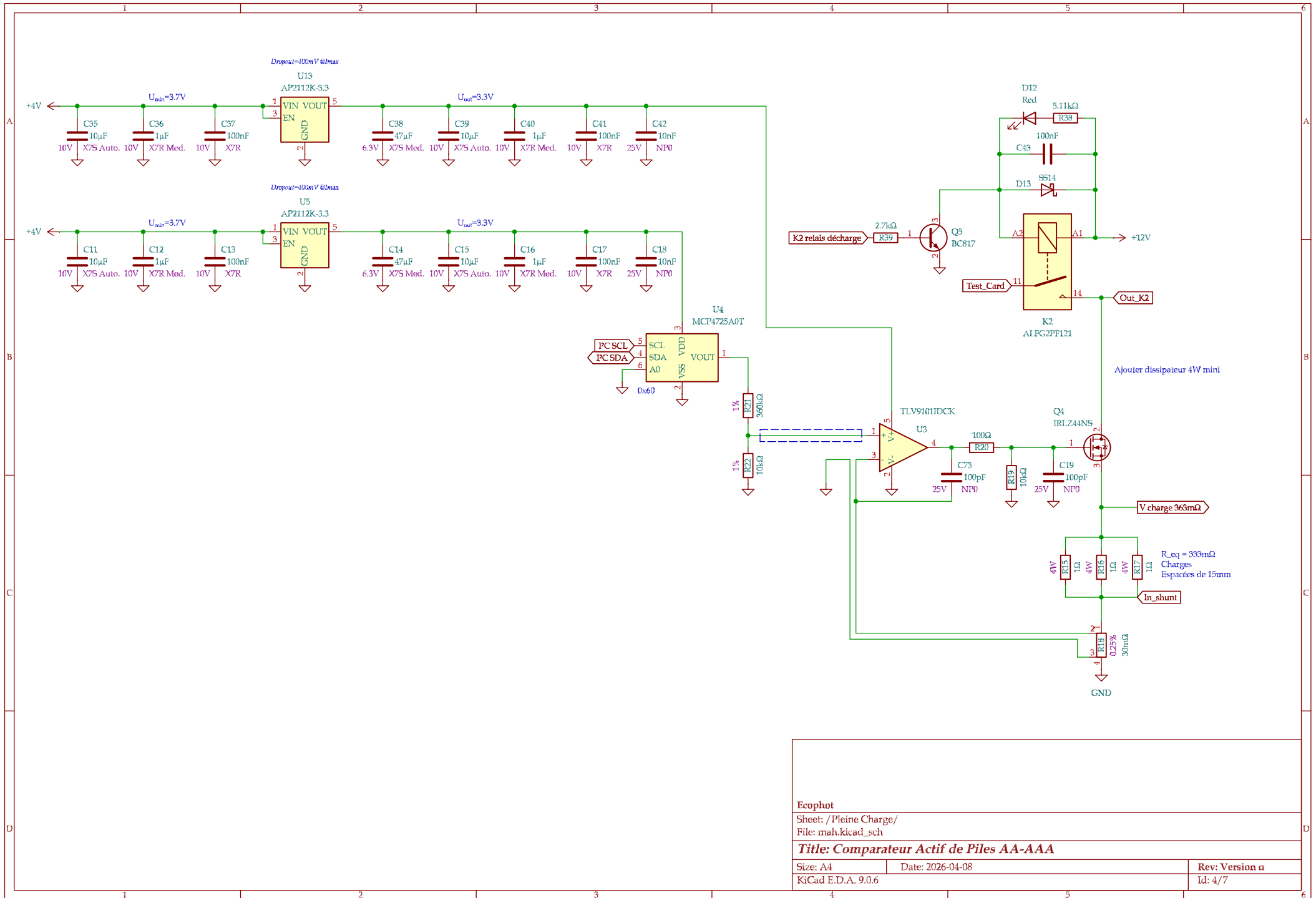


<b>Ecophot</b>	
Sheet: / Alimentation Carte/ File: card_power.kicad_sch	
<b>Title: Comparateur Actif de Piles AA-AAA</b>	
Size: A4	Date: 2026-04-08
KiCad E.D.A. 9.0.6	Rev: Version α Id: 2/7



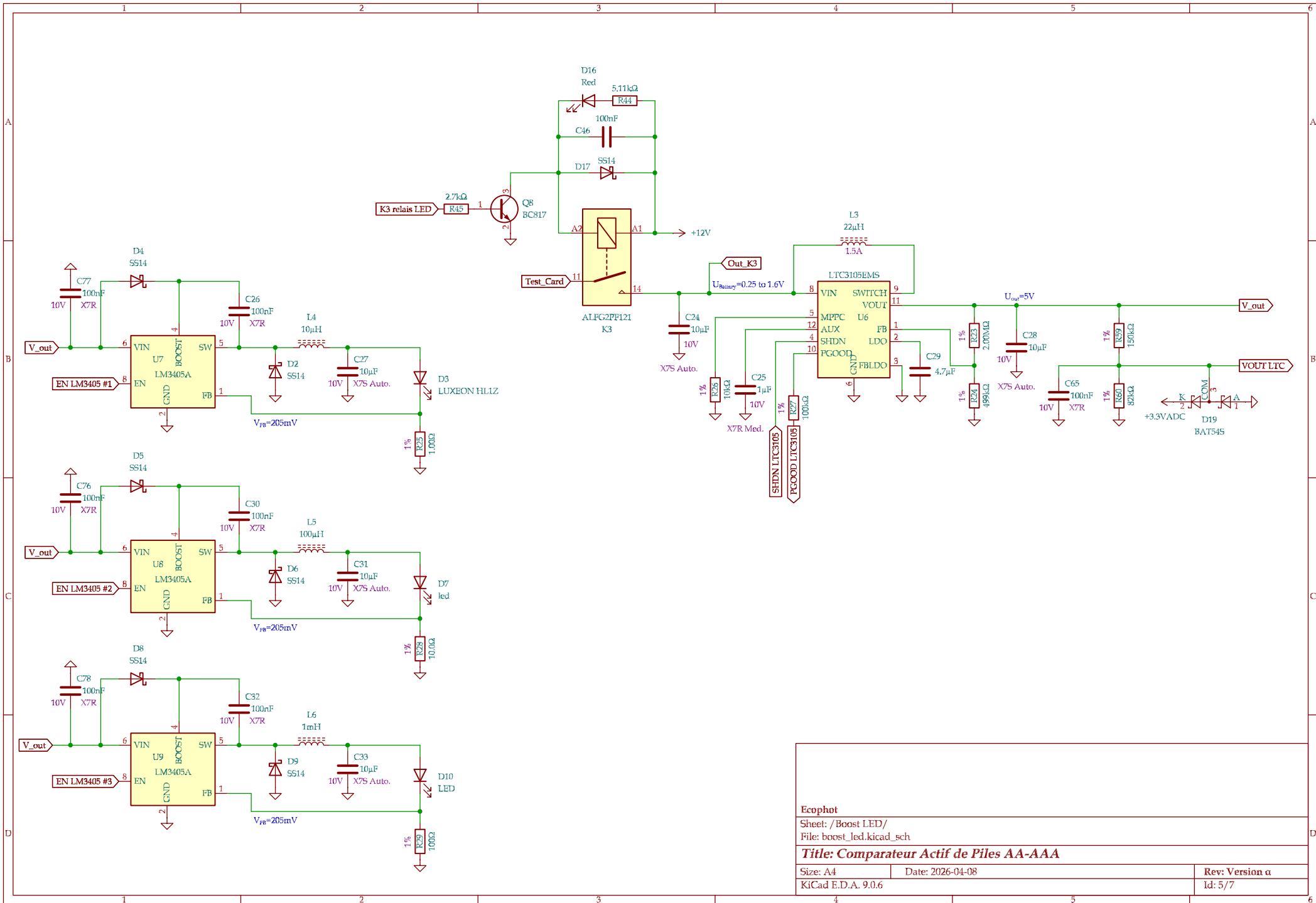


Ecophot

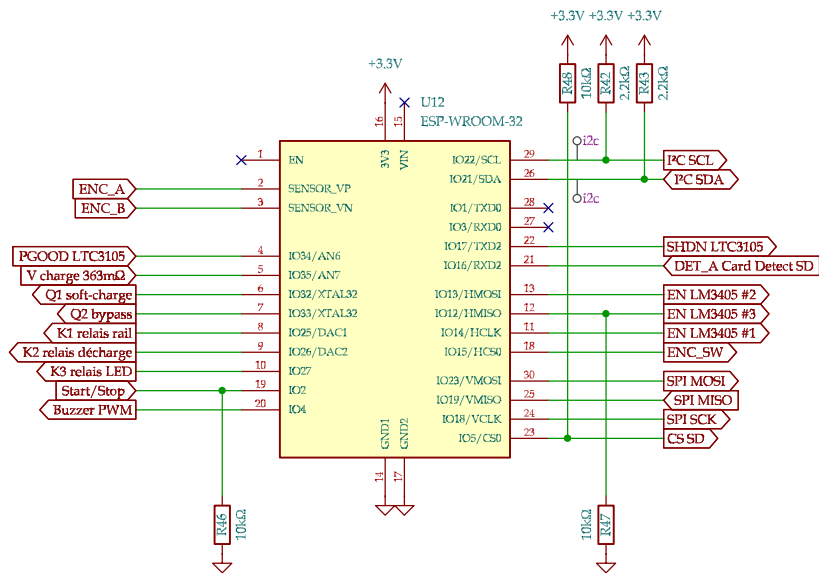
Sheet: /Pleine Charge/  
 File: mah.kicad\_sch

**Title: Comparateur Actif de Piles AA-AAA**

Size: A4	Date: 2026-04-08	Rev: Version α
KiCad E.D.A. 9.0.6		Id: 4/7



Ecophot	
Sheet: /Boost LED/ File: boost_led.kicad_sch	
<b>Title: Comparateur Actif de Piles AA-AAA</b>	
Size: A4	Date: 2026-04-08
KiCad E.D.A. 9.0.6	Rev: Version a Id: 5/7



Ecophot

Sheet: /ESP32/  
File: esp32.kicad\_sch

**Title: Comparateur Actif de Piles AA-AAA**

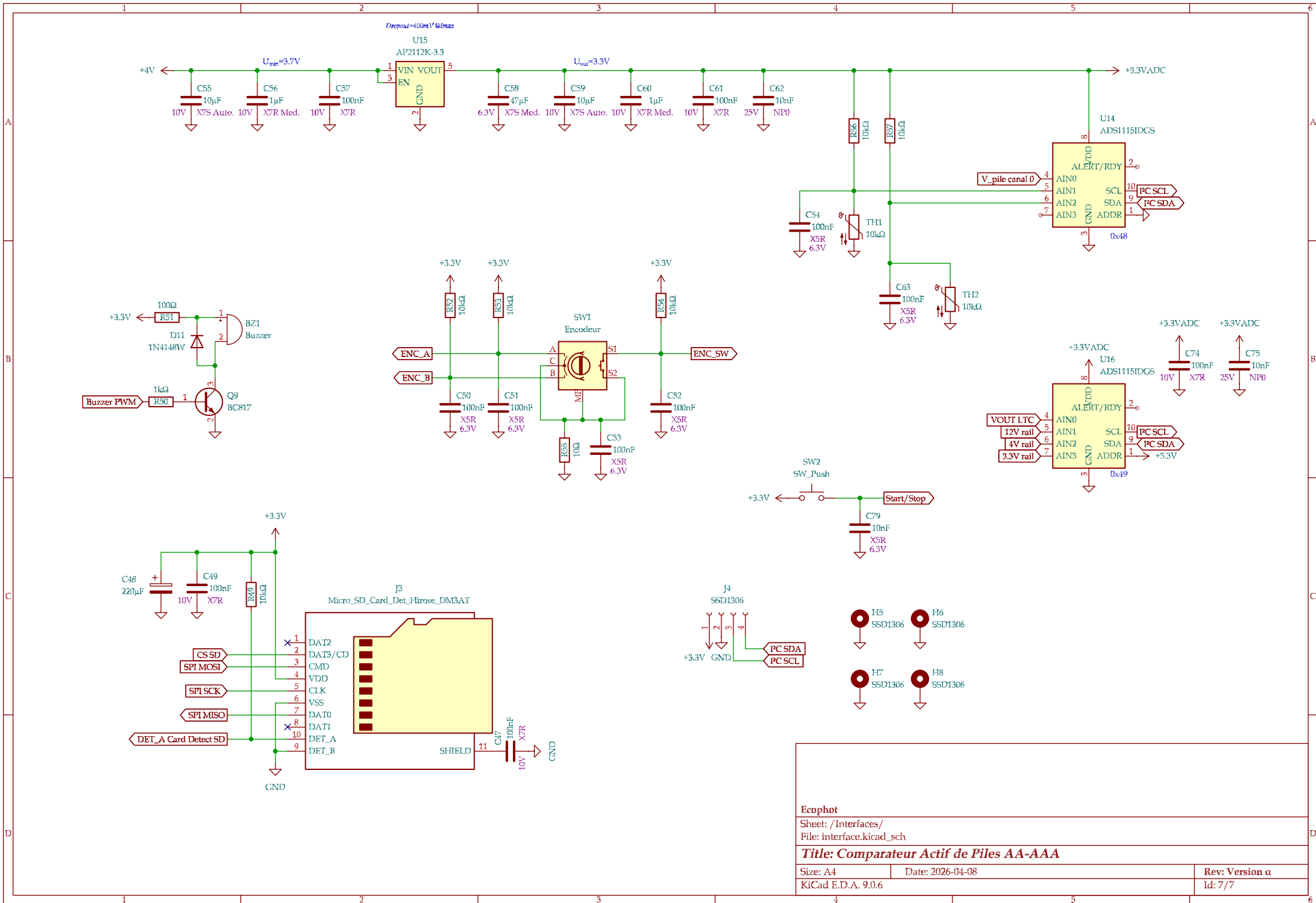
Size: A4

Date: 2026-04-08

Rev: Version α

KiCad E.D.A. 9.0.6

Id: 6/7



Ecophot	
Sheet: /Interfaces/	
File: interface.kicad_sch	
<b>Title: Comparateur Actif de Piles AA-AAA</b>	
Size: A4	Date: 2026-04-08
KiCad E.D.A. 9.0.6	Rev: Version α Id: 7/7